

OLYMPIA



Application

Main roadway, highway, urban area, industrial park, parking lots and etc.

Technical Characteristics

Patented surrealistic house design, the best combination of street function lighting and city beautification. Luminaires for high pressure sodium lamps up to 400W.

2G vibration standard (3d 100,000 times)

Housing

Die-cast aluminium housing engineered for long lasting structural reliability. Metallic paint used over anti-corrosion premier for excellent housing finish and quality. White aluminium (RAL9006) as the standard colour. For more colours please contact GE Sales office.

Bi-level dimming gear system available upon request, providing 4 modes for energy saving up to 30%.

Optical assembly

Formed high purity aluminium reflector provides high light output. Optimal beam control and visual comfort.

Optical chamber: IP 66.

Optical gasket with GE silica gel between the reflector and the toughened glass lens.

Provides flat or bowl glass option.

Charcoal filter.

Installation

Installation height <16m.

Maximum projection area: 0.28m².

This luminaire is suitable for 54-62 mm (external diameter) pole arm. There are three adjusting steps on the supporting pad with pole pad. The pole can only be put onto the 0 degree step if D ≠ 60mm, otherwise it can be put onto three steps (0°, 2.5°, 5°). f10 stainless screws.

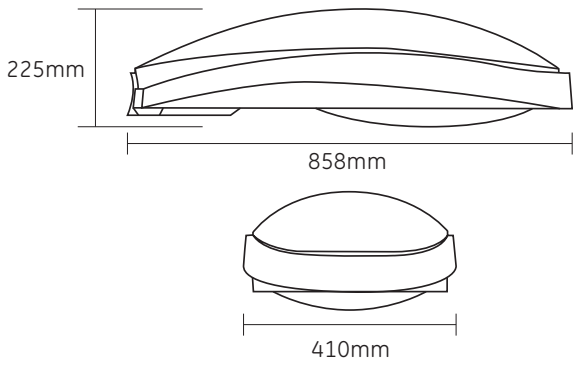
Maintenance

Fitting opens up for easy maintenance and lamp replacement.

Class I.

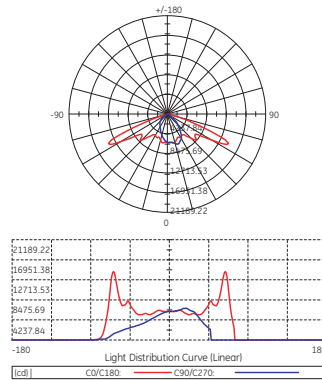


Dimensions (mm)

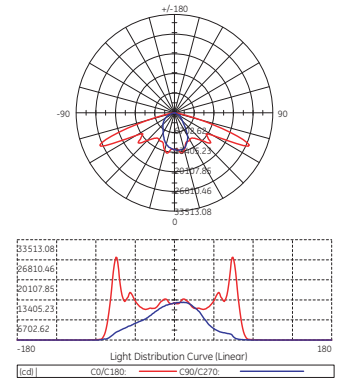


Photometric data

250W, HPS



400W, HPS



Ordering information

Type	Wattage	Lamp	Voltage	Glass	Colour	Options
OLY	150W 250W 250W bi-level: 250W-150W 400W 400W bi-level: 400W-250W	HPS	220V / 50Hz 230V / 50Hz 240V / 50Hz	Elliptical glass Cut-off glass	RAL9006 Metallic paint	Anti-drop

