

# VILLA & VILLAR



## Application

For illuminating roads and walkways in residential zones, pedestrianised streets, parks and gardens, plazas, etc. Recommended height for mounting is between 3 and 5m.

## Technical Characteristics

Classic street lamps, manufactured in steel plate, with separate side panels. The VILLA-R model differs in its internal reflector that offers an asymmetric photometric distribution. For high pressure sodium and metal halide lamps up to 150W.

## Housing

Housing in two parts (canopy and lower body) in 2mm-thick steel plate, electrostatically sprayed with a polyester powder paint finish, following anti-corrosion priming, and oven cured at 180°C.

Standard colour: RAL 9011 black. Consult other colour options.

Eight polished brass adornments on the canopy, two of which serve to open it and offer tool-less access to the lamp and control gear.

## Optics

Aluminium reflector in VILLA/R model with street-type asymmetric distribution.

## Installation

Four independent side panels, manufactured in opal PMMA (OP) for VILLA and stippled PMMA (MU) for VILLA/R. Consult polycarbonate option.

Integral electrical units mounted on removable Bakelite tray in canopy.

System for mounting to columns, by fitting to a threaded sleeve of 25mm external diameter maximum.

**Degree of protection:** IP43.

**Insulation:** Class I. Class II. optional.

**Effective projected area:** 0.15 m<sup>2</sup>

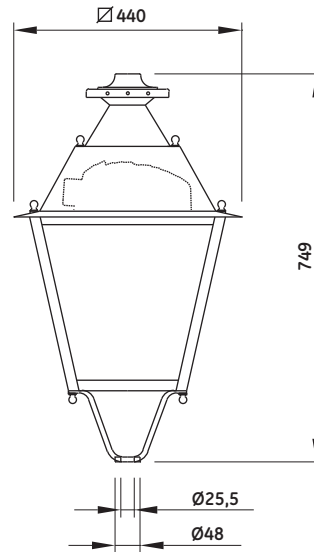
**Approx. weight with ballast:** 10 to 13kg.

## Notes

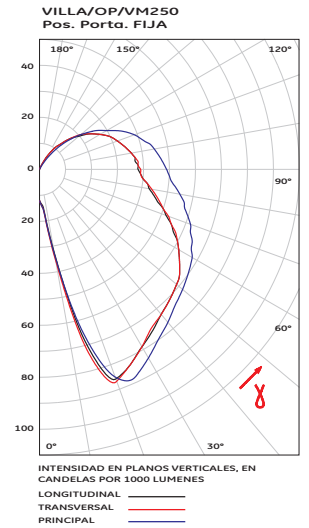
The street lamps may be supplied with anti-vandal wire guards protecting the 4 panels. Consult AV option.



Dimensions (mm)



Photometric data



VILLA

CEI 34.21 /EN 60598-1, IEC 60 – 230V 50Hz – Class I (Optional Class II)  
Optic IP43 – Control gear IP43

Description	Lamp ILCOS code	Pack Qty	Product Code
VILLA/OP HPS 70W	SE-70-H-E27-72/156	1	88006
VILLA/OP HPS 100W	ST-100-H-E40-48/211	1	88007
VILLA/OP HPS 150W	ST-150-H-E40-48/211	1	88008
VILLA/OP MH 150W E40	MT-150-H-E40-48/209	1	88009
VILLA/OP MH 250W (HPS)	MT-250-H-E40-48/260/H	1	88010

VILLA-R

CEI 34.21 /EN 60598-1, IEC 60 – 230V 50Hz – Class I (Optional Class II)  
Optic IP43 – Control gear IP43

Description	Lamp ILCOS code	Pack Qty	Product Code
VILLA/R/MU HPS 70W	SE-70-H-E27-72/156	1	88011
VILLA/R/MU HPS 100W	ST-100-H-E40-48/211	1	88012
VILLA/R/MU HPS 150W	ST-150-H-E40-48/211	1	88013
VILLA/R/MU MH 150W E40	MT-150-H-E40-48/209	1	88014